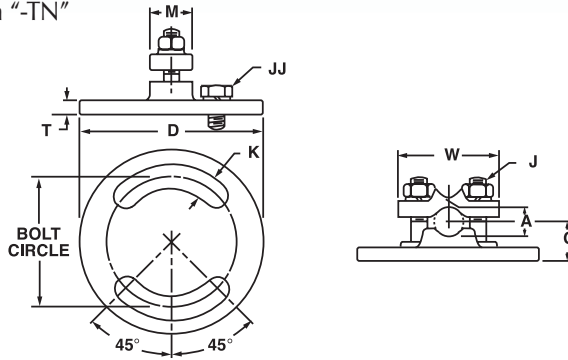


# Bronze Bus Support Clamps

## Type BSR2B

For copper tube or cable to bolt circle

- Manufactured from high strength cast copper alloy
- Designed for mounting a wide range of cable or tube on post or pedestal type insulator
- Furnished with silicon bronze clamping hardware for corrosion resistance
- Stainless steel bolts and lockwashers furnished for cap mounting (standard)
- Elongated slots in base permit easy alignment
- For stainless steel base mounting hardware consisting of bolts, nuts, and lockwashers, suffix catalog number with “-BM”
- For tin plating, suffix catalog number with “-TN”



### 3" Bolt Circle

CATALOG NUMBER	IPS SIZE	COPPER CONDUCTOR RANGE	APPROXIMATE DIMENSIONS (IN.)						BOLT SIZE	
			D	C	W	M	T	K (SLOT WIDTH)	J	JJ
BSR2B-025-3	-	6 Sol. - 250 kcmil	4.25	.81	2.25	1.00	.31	.56	3/8	1/2
BSR2B-050-3	-	1/0 Sol. - 500 kcmil	4.25	1.38	2.25	1.38	.31		3/8	
BSR2B-200-3	1/2 - 1 1/2	500 - 2000 kcmil	4.25	2.09	3.88	1.25	.38		1/2	
BSR2B-20-3	2	-	4.25	2.19	4.50	1.50	.38		1/2	
BSR2B-25-3	2 1/2	-	4.25	2.19	4.88	1.63	.38		1/2	
BSR2B-30-3	3	-	4.25	3.63	6.13	1.75	.31		5/8	
BSR2B-35-3	3 1/2	-	4.25	4.00	6.63	1.75	.31		5/8	

### 5" Bolt Circle

CATALOG NUMBER	IPS SIZE	COPPER CONDUCTOR RANGE	APPROXIMATE DIMENSIONS (IN.)						BOLT SIZE	
			D	C	W	M	T	K (SLOT WIDTH)	J	JJ
*BSR2B-025-5	-	6 Sol. - 250 kcmil	6.25	.88	2.25	1.00	.25	.69	3/8	5/8
*BSR2B-050-5	-	1/0 Sol. - 500 kcmil	6.25	1.44	2.25	1.38	.25		3/8	
*BSR2B-200-5	1/2 - 1 1/2	500 - 2000 kcmil	6.38	2.09	3.88	1.25	.38		1/2	
BSR2B-20-5	2	-	6.38	2.19	4.50	1.50	.38		1/2	
BSR2B-25-5	2 1/2	-	6.38	2.19	4.88	1.63	.38		1/2	
BSR2B-30-5	3	-	6.38	3.63	6.13	1.75	.38		5/8	
BSR2B-35-5	3 1/2	-	6.38	4.00	6.63	1.75	.38		5/8	

\* Connector base with six slots